

Client's contact details:

PLAC EXPORT
98-300 Wielun, Ul.Rymarkiewicz 6
EE
tel.:

Sales department contact details:

EXPORT

tel. + (48) 43 843 4510

Contact details:

Sylwia Podgórnjak
s.podgorniak@wielton.com.pl
Tel.No.

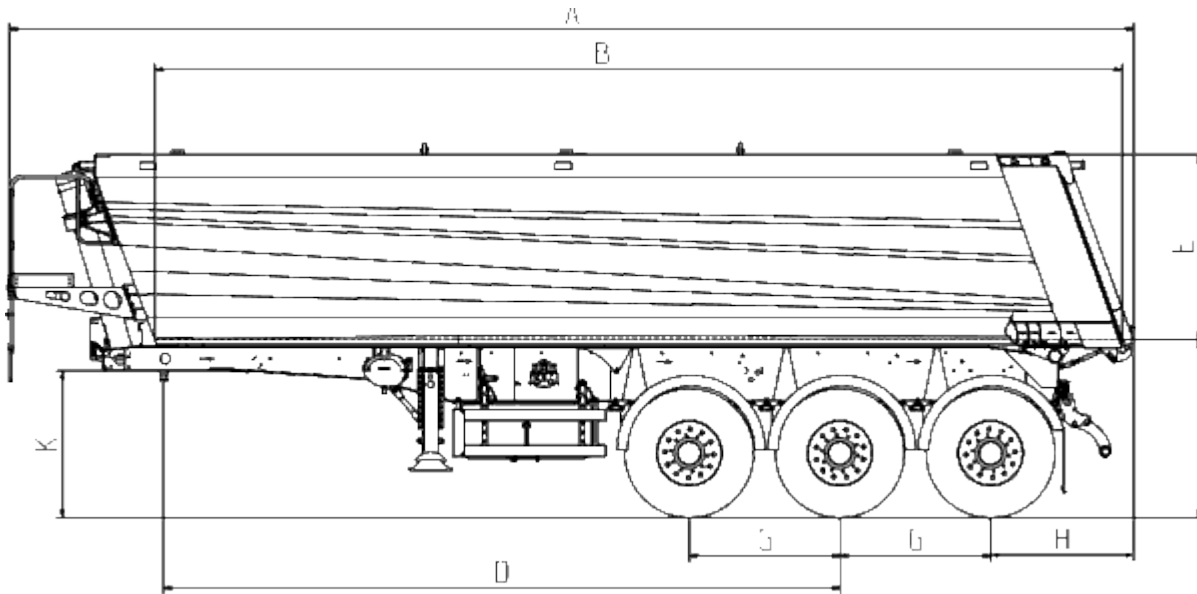
Offer No. 24/EE/SP/2024/1 of 2024-07-09

Trade type: NW3S33HKKC61

Thank You for Your interest in our products. With a great pleasure, we would like to present You an offer for:

Tipper semi-trailer Strong Master with steel HALF-PIPE type body - loading volume 33 m3





Primary parameters

A	Outer length with no chute	9992	mm
A1	Outer length with chute	10153	mm
B	Inner length	8730	mm
M	Outer width	2550	mm
N	Inner width	2372	mm
E	Inner height	1675	mm
L	Wheels track	2040	mm
D	Distance: kingpin – 2nd axle	6120	mm
H	Rear end overhang with no chute	1296	mm
H1	Rear end overhang with chute	1457	mm
I	Floor height	1436	mm
J	Height for max. tipping angle	9496	mm
	Authorized kerb mass	36000	kg
	Authorized kerb mass - technical	39000	kg
	Axle pressure	8000	kg
	Fifth wheel pressure	12000	kg
	Cubature	33	m3
HO	Commercial designation - for vehicle registration purposes: NW-3		nd
WZ	External height	3255	mm
MW	Curb weight*	7415	kg
	* estimated weight with an accuracy of +/- 3%	-	nd

* estimated weight with an accuracy of +/- 3%

The manufacturer reserves the right to change the vehicles technical specification

TECHNICAL SPECIFICATION

Chassis

61	Kingpin spacing -second axle: 6120mm
CH00041A	Steel rear bumper, in compliance with regulation 58, foldable, adjusted for working with bituminous mastic pavers
CH00043A	Manually lifted bumper
WH00004A	Wheelbase 1360
MR00005A	Pneumatic suspension Steel construction made of S700 high strength steel Version: heavy duty

Axles and suspension

CH00003A	Coupling 1200 - height of coupling when empty : horizontal 1200mm
3	Number of axles 3
AX00001A	Rigid axles
AX00025A	3rd axle not lifted
AX00030A	3 axle aggregate 3x9000 kg SAF 22,5 INTRADRUM CD drum brake ET=0 SP=2040
AX00027A	1st axle lifted - automatic 1st axle lift (pneumatic suspension) 1st axle lifted in an automatic cycle with the possibility of manual control

Landing legs

LL00013A	Steel landing legs SAF Hercules
----------	---------------------------------

Mudguards

MU00001A	Full plastic mudguards - 6 pcs
MU00015A	Rubber mudflaps behind every axle WITH WIELTON LOGO

Rims

RI00001A	6x Steel rim 22,5-11,75 ET-0
TY00010A	No spare rim

Tires

TY00071A	No spare tire
TY00192A	6x Tire 385-65-22,5 manufacturer's choice Bridgestone R179+ or GoodyearKM Rolling resistance: C Wet grip: B External rolling noise: 69dB

Other chassis equipment

EC00054A	Double spare wheel holder
EC00004A	Toolbox - 44 L
EC00034A	Water container - 30 L
EC01168A	Removable chute

Body

33	Capacity 33m3
BO00072A	Front wall inclined - 20 degrees
BO00011A	Steel slanted flap
BO00038A	1 damper - rear closing with one chute hole
1675	Interior height 1675mm
BO00056A	4,5 mm floor, 4,5 mm sidewalls, HARDOX
BO00140A	Bottom tensioners (2 pcs)

Other body equipment

EB00002A	Tippable beam the boards
EB00003A	Railing with an entrance from the driver's side

Tarpaulin

TL00001A	Side folded tarpaulin - manually
----------	----------------------------------

Pneumatics

BR00031A	Steel air reservoirs
BR00041A	Suspension pressure measurement manometer
BR00042A	Automatic airbags deflating
BR00011A	Braking system according to the manufacturer's choice (Wabco, Knorr) With Basic modulator and Vehicle Stability Function

Frame color

PC00001A	Frame color RAL 7021 (grey black)
----------	-----------------------------------

Body color

PB00004A	Box color RAL 3002 (carmine red)
PBC0001	All steel elements shotblasted twice and painted in painting booths.

Tarpaulin color

PT00004A	Tarpaulin color RAL 3002 (carmine red)
----------	--

Hydraulics

HY00020A	Hose + check valve + hydraulic cable connector of the tractor - semi-trailer 1"
HY00006A	BINOTTO with ShortCover fixing

Electricity

- EL00002A LED lighting
24V in compliance with ECE regulations, clustered lights
Lights: reversing, fog, indicators (LED) License plate lights (LED) Marker lights (LED) Side lights (LED)
Lights: STOP, position, marker lights on a footer by the lamp (LED)
- ELC0002 Connection sockets 2X7 + 15PIN and EBS socket without wire harness
- EL00016A Lighting system LED Aspöck - EUROPOINT III

Safety system

- AS00002A System dedicated to semi-trailers and trailers providing tire pressure monitoring functionality on the vehicle. Manufacturer: ABERG Connect.
The system consists of TPMS (pressure and temperature) sensors mounted on the wheel rims and a device connected to the EBS modulator.
- AS00005A No tire pressure sensor for spare wheel

Signs

- MA00003A Reflective plates
- MA00004A Reflective tape WIELTON LOGO
- MA00007A Side marking tape YELLOW
- MA00009A Rear marking tape YELLOW
- MA00020A Warning stickers WIELTON

Warranty

GU00001 The vehicle producer provides a 24 month warranty with no kilometer limit , and for individual axle components in accordance with the axle producer's guidelines(check axle appendix)

GU00003 The Manufacturer provides a 24-month warranty for the purchased vehicle, depending on the market on which the product is offered, in accordance with the general terms of sale and delivery and subject to compliance with the vehicle servicing dates specified in the warranty book.

Warranty period for ON-ROAD / OF ROAD products

- 24 months for the complete product from the date of the first registration

- 36 months per vehicle frame from the date of the first registration

AGRO products are excluded from the Assistance service.

Exclusions from the Warranty

Exclusion from the warranty is regulated in P.3.1, P.3.2 and P. 5.1 of the Warranty Book.

Wielton S.A. offers 24/7 Assistance service for its Customers.

In the event of the vehicle being unable to continue driving, we provide an international emergency telephone numer.

Emergency Call Assistance

Supported 24 hours a day, 7 days a week (with handling and intervention charges).

Clarification of the type of assistance.

Organization of aid.

After receiving an emergency report in the event of a failure, we will develop an optimal solution.

Road Assistance

Restoring running order (starting the vehicle so it can continue work)

Coverage of repair costs with the exception of: post-warranty products, accident damage, tires, mechanical damage or damage caused by the fault/negligence of the user, which is regulated by the manufacturer's Warranty Book.

Conditions of delivery

TR00001A Vehicle collection from company headquarters in Wielun

Optional equipment (not included in offer calculation)

PRICE AND AMOUNT OF THE OFFER

Unit price: 29900 EUR + VAT

Order price: 29900 EUR + VAT

Quantity: 1 pcs.

Implementation date:

Amount of the advance: EUR



Offer due date: 2024-08-08

WARRANTY REGULATIONS

The manufacturer of this vehicle provides a warranty for the period of 24 months without distance limits, and for every axle component in compliance with axle manufacturer regulations— appendix axles.

SERVICING

List of authorized service points available on request and on our websites wielton.com.pl. The client is obliged to use and maintain the vehicle in compliance with the Warranty regulations and the Instruction manual.

PRODUCTION AND PAYMENT CONDITIONS

Order must be signed by both sides. Advance payment in the amount of due to Full payment reduced by the advance payment must be done by bank transfer before vehicle collection.

Advance payment inflow on the WIELTON bank account starts the implementation of regulations signed by both sides. The regulations, at this point, can no longer be changed by any of the sides (no possibility of implementing corrections in assembling, production or price negotiation).

OTHER

Notice: According to the EU regulations, driving with the first axle lifted does not preserve the maximum acceptable wheelbase i.e. the overlap radius is exceeded on the corners. Therefore, driving with the first axle lifted can only take place on the users responsibility and at his own risk.

Regards,

Sylwia Podgórnjak



GDPR information clause for counterparties

Pursuant to art. 13 section 1 and section 2 of Regulation (EU) 2016/679 of the European Parliament and of the Council of 27 April 2016 on the protection of natural persons with regard to the processing of personal data and on the free movement of such data, and repealing Directive 95/46/EC (General Data Protection Regulation, "GDPR"), we hereby inform that:

1. The administrator of your personal data, that is the company deciding about the purpose and manner of processing your personal data, is Wielton S.A. with its registered office in Wieluń (hereinafter "Company").
2. The administrator has appointed the Data Safety Administrator (DSA). Contact with DSA is possible at the e-mail address: abd@wielton.com.pl or the phone number: 511 448 798.
3. Your personal data shall be processed for the purpose of contract performance. Processing of personal data for this purpose is performed based on art. 6 section 1 letter b) of GDPR. Personal data can also be processed by the administrator for the purposes of debt collection and pursuing of claims. Processing of personal data for such purposes is performed based on art. 6 section 1 letter f) of GDPR. Personal data can also be processed for the purpose of performance of obligations resulting from provisions of the law, including tax and accounting regulations. In such a case, the basis for data processing is art. 6 section 1 letter c) of GDPR.
4. Recipients of your personal data shall be entities authorized to obtain personal data based on provisions of the law. Data can also be provided to subcontractors of the Company, processing such personal data on behalf of the Company, based on personal data processing agreements.
5. Your personal data shall be stored for a period necessary to pursue possible claims, or for a period required under provisions of tax law, no longer, however, than 6 years after contract expiry.
6. You have the right to access the contents of your data, and the right to correct them, remove them, limit their processing, as well as the right to transfer your data.
7. You have the right to lodge a complaint with the President of the Personal Data Protection Office, if processing of personal data by the Company is in violation of provisions of GDPR.
8. Submitting your personal data is voluntary, however, a refusal to provide your data can prevent us from concluding a contract.